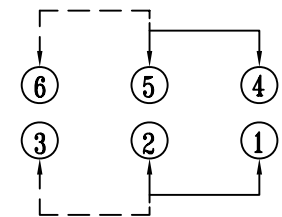
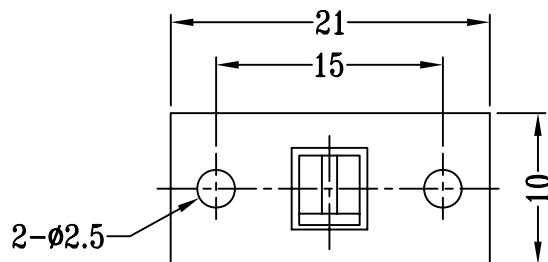
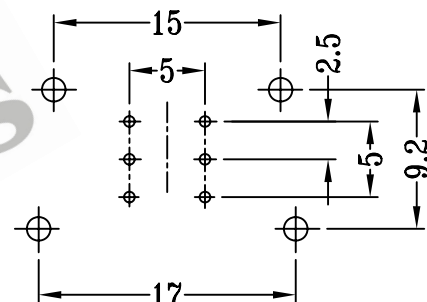
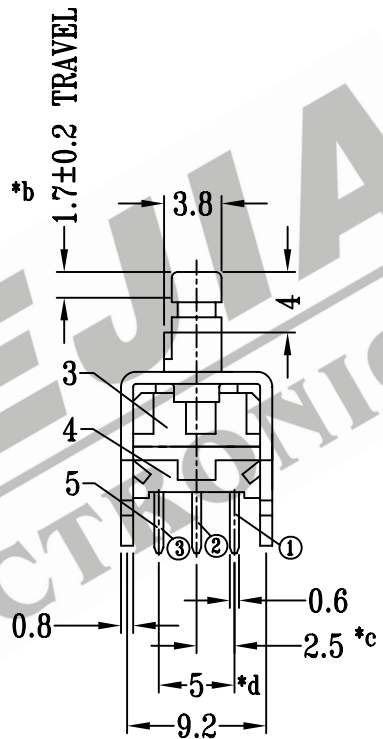
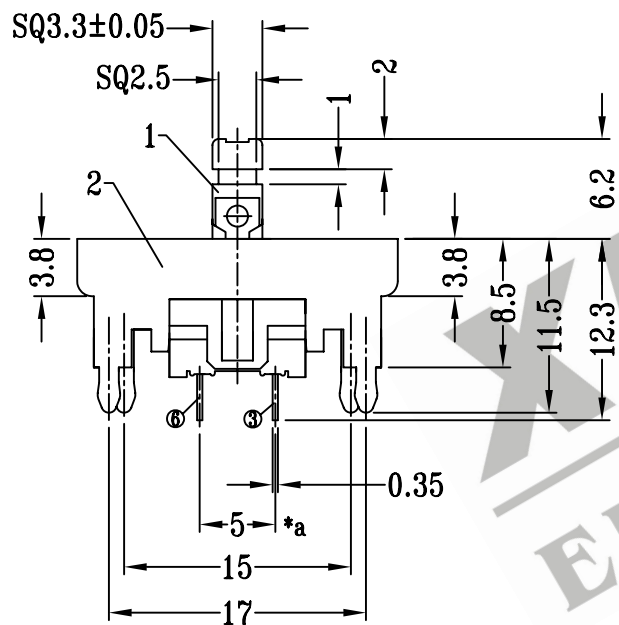


CAD FILE:



**SCHEMATIC (NON-SHORTING)**



**P.C.B LAYOUT**

注:带"\*"表示关键尺寸(4个)

8	INSERT CASE	PBT	1	BLUE	TOLERANCE UNLESS SPECIFIED	SHENZHEN XIEJIA ELECTRONICS CO.,LTD.				
7	CONTACT CLIP	PBS	2	Ag CLAD						
6	SPRING	STEEL STAINLESS	1	TEMPER	WITHIN: 1.5±0.1mm	ISSUE	DATE	DESCRIPTIONS OF REVISION		APPD.
5	TERMINAL	BRASS STRIP	6	Ag PLATED OVER Ni PLATED	OVER : 1.5±0.2mm					
4	CASE	PBT	1	BLACK	TITLE : VERTICAL PUSH SWITCH		UNIT : mm	DRWG NO.: XJ-DR-PBM0103-00		
3	COVER	POM	1	BLACK	MODEL: PBM-0103		SCALE: 2:1	DWN.	ZHOUYU	2002-11-16
2	SUPPORT	STEEL STRIP	1	Sn PLATED	ALL MATERIALS MUST BE COMPLIANT TO ROHS			CHK'D	FANGYING	2002-11-16
1	KNOB	POM	1	BLUE				APPD.	KANGXINAN	2002-11-16
NO.	PARTS	MATERIALS	Q'TY	FINISH						